



OPTIMUM

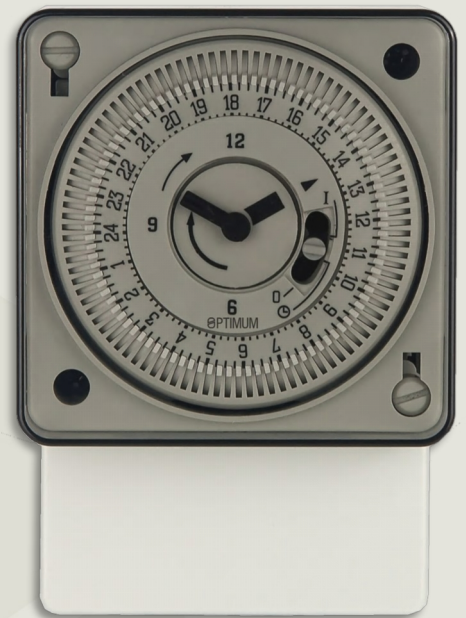
## PRODUCT DATA

### OP-TS111.1

24 HOUR SYNCHRONOUS  
TIME SWITCH

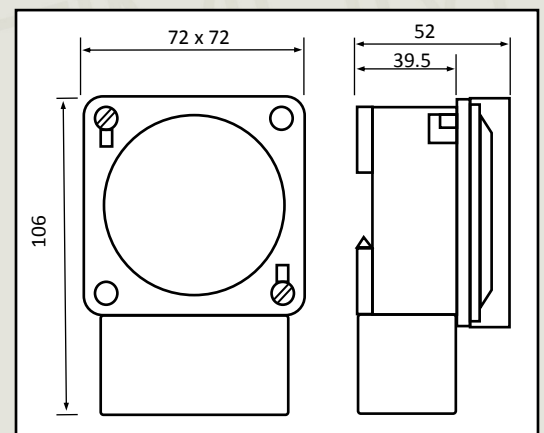
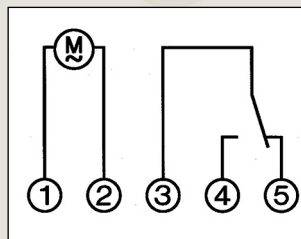
SURFACE, PANEL, DIN-RAIL  
MOUNTING

VOLT-FREE CHANGEOVER  
SWITCHING



OP-TS111.1 IS A CAPTIVE-TAPPET 24-HOUR TIME SWITCH. EACH TAPPET OPERATES FOR 15 MINUTES. THE TIMER IS SUITABLE FOR SURFACE, PANEL AND DIN-RAIL MOUNTING. THE 24 HOUR DIAL CONTROLS A VOLT-FREE CHANGEOVER SWITCH, WITH A RESISTIVE RATING OF 16 AMPERES.

|                    |   |
|--------------------|---|
| DIMENSIONS         | 106 x 72 x 52 (see drawing below)               |
| CONNECTIONS        | 5 X WIRE-PROTECT SCREW TERMINALS                |
| WEIGHT             | 160g  |
| POWER CONSUMPTION  | 1vA @ 230V 50Hz                                 |
| RESISTIVE LOAD     | 16 AMPERES                                      |
| INDUCTIVE LOAD     | 8 AMPERES (cos $\phi$ 0.6)                      |
| MINIMUM LOAD       | 100mA @ 20v AC/DC                               |
| TEMPERATURE RATING | -20T55  |
| ACCURACY           | MAIN SYNCHRONISED (typically +/- 2.5 sec / day) |
| MINIMUM SWITCHING  | 15 MINUTES                                      |
| MANUAL OVERRIDE    | FIX ON / TIMED / FIX OFF                        |



OPTIMUM



Cert No: RS 30178  
QR057

TFC GROUP LLP, TOWER HOUSE, VALE RISE, TONBRIDGE, KENT TN9 1TB

Tel: 01732 351680 [www.tfc-group.co.uk](http://www.tfc-group.co.uk)

Prepared for TFC Group LLP By: M. Edmonston

Issue 1: Sept 2018

Page 1 of 1